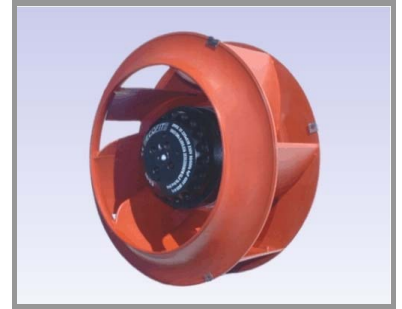


Ind. a - Revision : 11-2003

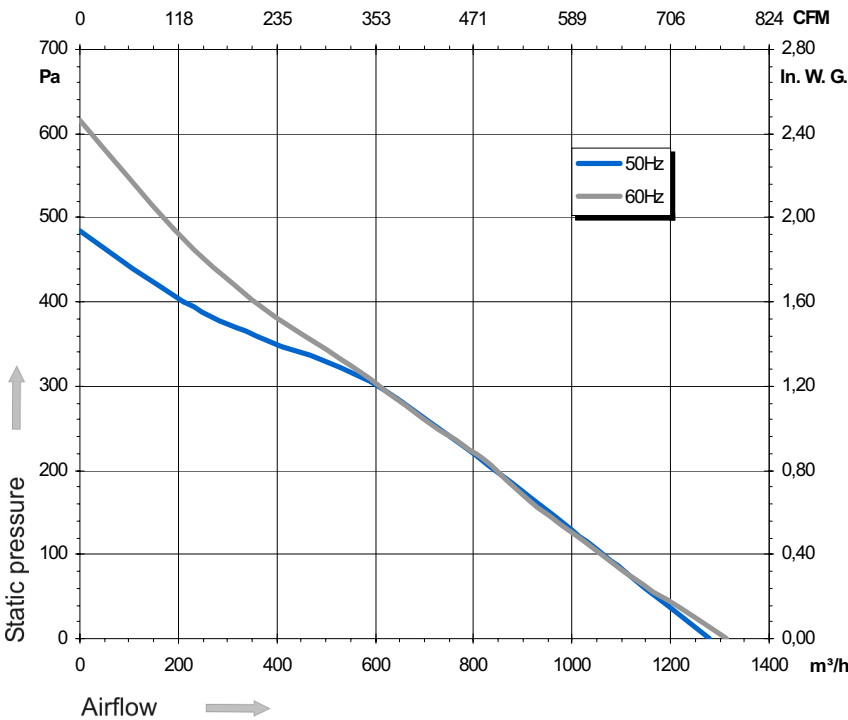
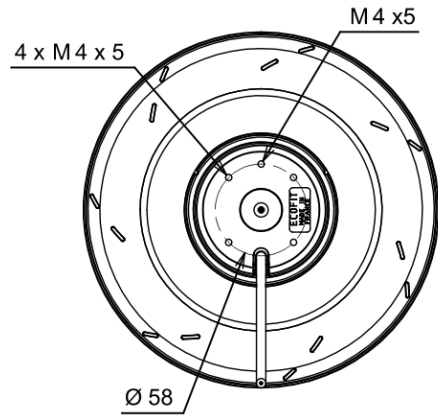
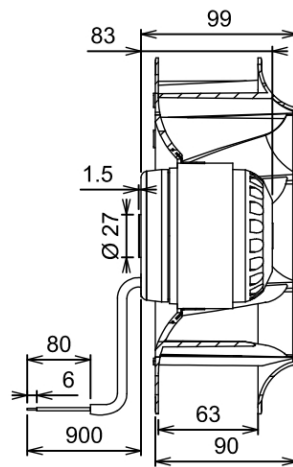
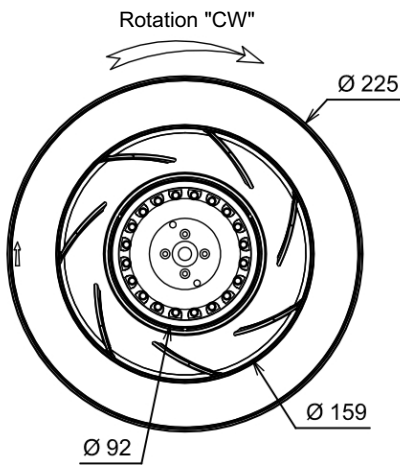
## 2RRE35 225x63R

## P/N B28-A1

Substitute for T11-02



Voltage	Frequency	Input power	Current	Capacitor	Airflow	Speed rotation	Noise level	Rotation direction	Operating temperature
V	Hz	Wa	A	μF	m³/h	RPM	dBA	↻	Min / Max
230	50	158	0,69	4,0	1 280	2 535	70	R	-20°C / +70°C
230	60	213	0,93	4,0	1 315	2 590	70	R	-20°C / +60°C



- Ball bearing
- Class F, thermally protected
- IP44 protection
- G2.5 balancing
- Rotor : black paint
- PA 6/6 UL 94 V-0 plastic impeller

Capacitor for 50Hz	Capacitor for 60Hz	Inlet cone	Zinc Coated
19019-0	19019-0	16133-a	21194-a

